



Originally Issued: 03/08/2013

Revised: 01/03/2024

Valid Through: 03/31/2025

## MODULAR ARCHITECTURAL INTERIORS

dba ALUR

10A Bloomfield Ave Unit A-2

Pine Brook, NJ 07058

Phone: (973) 446-2300

Fax: (973) 446-2399

<http://alurwalls.com>

## ALUR DIVIDING WALL

CSI DIVISION: 10 00 00 — SPECIALTIES

CSI Section: 10 22 19 — Demountable Partitions

### 1.0 RECOGNITION

The ALUR Dividing Wall System recognized in this report has been evaluated for use as an interior wall partition system. The structural and interior wall finish properties of the ALUR Dividing Wall System complies with the intent of the provisions of the following codes and regulations:

- 2021, 2018, and 2015 International Building Code® (IBC)
- 2022 California Building Code (CBC)– attached Supplement
- 2023 Los Angeles Building Code (LABC) – attached Supplement
- 2023 Florida Building Code®–Building (FBC, Building) – attached Supplement

### 2.0 LIMITATIONS

Use of the ALUR Dividing Wall System recognized in this report is subject to the following limitations:

**2.1** The system shall be manufactured, identified, and installed in accordance with this report and the manufacturer’s published installation instructions. Where differences exist between this evaluation report and the manufacturer’s published installation instructions, the more restrictive shall govern.

**2.2** The maximum partition height is 10 feet (3048 mm).

**2.3** Panel installation is limited to interior non-load-bearing applications.

**2.4** The panels may be used to support furniture loads, such as overhead bins and work surfaces. In office and commercial buildings ( $I_p = 1.0$ ), the panels may support two over-head bins and a work surface where the maximum mapped short-period spectral acceleration,  $S_s$ , is 1.23, a single over-head bin and a work surface where the maximum  $S_s$  is 1.77 or less,

and a work surface only where the maximum  $S_s$  is 2.96 or less. In Occupancy Category IV, Essential Facilities ( $I_p = 1.5$ ), the maximum  $S_s$  mapped short-period spectral acceleration is 2.3 for partition heights of 10 feet (3048 mm) without bins or work surfaces; the panels may support two over-head bins and a work surface where the maximum  $S_s$  is 0.82 or less, a single over-head bin and a work surface where the maximum  $S_s$  is 1.18 or less, and a work surface only where the maximum  $S_s$  is 1.97 or less. The above-mentioned values correspond to partitions with heights of 10 feet (3048 mm). The maximum  $S_s$  limitations may be increased as justified by a design professional with project-specific calculations and approved by the building official. The USGS “U.S. Seismic Design Maps Web Application” may be utilized to determine the maximum  $S_s$ -mapped short-period spectral acceleration for a given project latitude and longitude.

**2.5** Lateral bracing of the ALUR Dividing Wall System ceiling track shall be independent of the lateral bracing support of the building’s ceiling grid and shall conform to the requirements of this report, unless otherwise justified by a design professional and approved by the building official.

**2.6** Anchorage of the ALUR Dividing Wall System floor track shall conform to the requirements of this report, unless otherwise justified by a design professional and approved by the building official.

**2.7** In Seismic Design Categories A and B, the minimum panel width shall be 6 inches (152 mm) wide with one floor anchor. In Seismic Design Categories C to F, the minimum panel width shall be 14 inches wide with a minimum of two floor anchors, except in cases where the supporting floor slab consists of 4 inches minimum normal-weight concrete, in which case the minimum panel width maybe 6 inches (152 mm) wide with one anchor.

**2.8** The ALUR Dividing Wall System shall be installed in accordance with the applicable code, the manufacturer’s published installation instructions, and this report. Where there is a conflict, the most restrictive requirements shall govern.

**2.9** The ALUR Dividing Wall System recognized in this report is produced by Office Resource Group, Inc. in Ansan-Si, Kyungki-Do, South Korea.

### 3.0 PRODUCT USE

**3.1 General:** The ALUR Dividing Wall System is a relocatable, floor-to-ceiling, non-load-bearing, interior wall partition system complying with IBC Sections 803, 1607, and 1613. The system consists of thermofused laminate, fabric, marker board, or tackable board wall tiles on aluminum

The product described in this Uniform Evaluation Service (UES) Report has been evaluated as an alternative material, design or method of construction in order to satisfy and comply with the intent of the provisions of the code, as noted in this report, and for at least equivalence to that prescribed in the code in quality, strength, effectiveness, fire resistance, durability and safety, as applicable, in accordance with IBC Section 104.11. This document shall only be reproduced in its entirety.

Copyright © 2024 by International Association of Plumbing and Mechanical Officials. All rights reserved. Printed in the United States. Ph: 1-877-4IESRPT • Fax: 909.472.4171  
web: [www.uniform-es.org](http://www.uniform-es.org) • 4755 East Philadelphia Street, Ontario, California 91761-2816 – USA





tracks and posts designed to interface and connect with one another or with existing building walls. The system may be used in any Occupancy, including Occupancy Category IV for Essential Facilities and Seismic Design Categories A to F.

**3.2 Installation:** Installation of ALUR Dividing Wall System shall be in accordance with the manufacturer's installation guide.

### 3.3 Special Inspection

**3.3.1 Seismic Design Categories D, E, and F:** Periodic special inspection shall be provided in accordance with IBC Section 1705.13.5 (2018 and 2015 IBC Section 1705.12.5). Special inspection for walls without storage bins may be waived as set forth in IBC Section 1705.13.5 (2018 and 2015 IBC Section 1705.12.5) Exception 3 for walls configured as set forth in Section 5.4 of this report.

**3.3.2 Floor Anchors:** Special inspection for the Hilti KB-TZ2 floor anchors shall comply with ICC ESR-4266.

## 4.0 PRODUCT DESCRIPTION

### 4.1 Product Information

**4.1.1** The wall system consists of thermofused laminate, fabric, marker board or tackable board wall tiles, and extruded aluminum tracks and posts (Figure 1).

The wall tiles may be arranged in a horizontal or vertical orientation (Figures 2 and 3). When the wall system is installed in accordance with this report and the manufacturer's published instructions, the wall system resists the greater of the 5 psf (239 Pa) transverse design load specified in IBC Section 1607.13, where  $I_p$  or  $I_e=1.00$  in Seismic Design Categories A and B; or the seismic design forces for nonstructural components in accordance with IBC Section 1613.1 in Seismic Design Categories A and B, where  $I_p$  or  $I_e>1.00$ , and in Seismic Design Categories C to F where  $I_p$  or  $I_e$  is 1.00 to 1.50.

### 4.2 Material Information

**4.2.1 Tiles:** 5/8-inch-thick (16 mm) Thermofused Melamine on particleboard substrate by Flakeboard, fabric, marker boards are 24, 48, 96, and 120 inches (610, 1219, 2438, and 3048 mm) in width and 26<sup>7</sup>/<sub>8</sub>, 36, 41<sup>1</sup>/<sub>8</sub>, 48, and 120 inches (683, 914, 1045, 1219, and 3048 mm) in height (Figure 9). The tile finishes comply as Class B interior wall finishes in accordance with IBC Section 803.1.1. Fabric finishes comply as Class A interior finish.

**4.2.2 Aluminum Tracks, Posts, and Horizontal Members:** Extruded from 6063-T52 aluminum alloy with a minimum yield strength of 16,000 psi (110 MPa). Dimensional information is available from the manufacturer upon request.

**4.2.3 Fasteners:** Bolts connecting aluminum members shall be stainless, hot-dipped galvanized, or electro-galvanized steel.

**4.2.4 Gaskets:** Innoprene, CAS No. 9003.07.0 and 9010.79.1

**4.2.5 Shims:** Acrylic shims are available for leveling the bottom frame.

**4.2.6 Floor Anchors:** The <sup>3</sup>/<sub>8</sub>-inch-diameter (10 mm) Hilti Carbon Steel Kwik Bolt TZ2 (KB-TZ2) with washer and hex nut shall be installed in accordance with Hilti's installation instructions and ICC ESR-4266. The minimum drilled hole depth shall be 2<sup>5</sup>/<sub>8</sub> inches (67 mm) and the minimum effective embedment depth shall be 2 inches (51 mm). Anchors shall be spaced 4 feet (1219 mm) maximum. Floor anchors may be installed into normal-weight or sand light-weight concrete having a specified compressive strength,  $f'_c$ , of 2,500 psi to 8,500 psi (17.2 to 58.6 MPa) in accordance with ESR-4266, Section 5.0, Conditions of Use, and Figure 5.

**4.2.7 Wall Bracing:** Top track bracing from ALUR Wall Y-bracket to the structural level above shall be Option 1 or Option 2:

**Option 1:** 350S162-33 (1<sup>5</sup>/<sub>8</sub>"x 3<sup>1</sup>/<sub>2</sub>" [41 x 89 mm], No. 20 gauge) steel stud braces on each side of the panel, spaced 4 feet (1219 mm) maximum, at a 1:1 angle (Figure 4).

**Option 2:** No. 12 gauge steel wires on each side of the panel, spaced 4 feet (1219 mm) maximum, at a 1:1 angle, with 350S162-33 (1<sup>5</sup>/<sub>8</sub>"x 3<sup>1</sup>/<sub>2</sub>" [41 x 89 mm], No. 20 gauge) steel stud vertical compression strut, spaced 12 feet maximum. (Figure 4).

Braces and wires shall be anchored into structure above as follows:

**4.2.7.1 Un-topped Corrugated Metal Deck:** (2) #6 self-drilling self-tapping sheet metal screws at each brace/wire, as shown in Figure 6.

**4.2.7.2 Concrete Over Corrugated Metal Deck:** <sup>3</sup>/<sub>8</sub> inch (9.5mm) diameter Hilti Carbon Steel Kwik Bolt TZ2 (KB-TZ2) at each brace/wire with washer & hex nut installed in accordance with the manufacturer's instructions, as shown in Figure 7.

**4.2.8 Top Track Bracing into Soffit (Designed and Framed by Others):** The ALUR wall top track may be anchored into a soffit as follows:

**4.2.8.1 Wood-Framed Soffit:** (1) <sup>1</sup>/<sub>4</sub> inch diameter Simpson SDS screw at 24 inches on center and 6 inches maximum from end of top track, installed per manufacturer's instructions, as shown in Figure 8.



Originally Issued: 03/08/2013

Revised: 01/03/2024

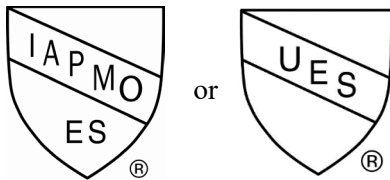
Valid Through: 03/31/2025

**4.2.8.2 Cold-Formed Steel-Framed (CFS) Soffit:** (1) ¼ inch diameter self-drilling self-tapping sheet metal screws with flat head at 24 inches on center and 6 inches maximum from end of top track, as shown in Figure 8.

The design of the soffit framing is outside the scope of this report. Documentation shall be submitted to the Building Official for approval demonstrating the soffit is designed for the applicable loads.

### 5.0 IDENTIFICATION

Identification of the system components shall be affixed on the packaging of the individual components, labeled “ALUR”. The label shall include the company name or trademark, model number, the name of the inspection agency (when applicable), and the Evaluation Report Number (ER-278) to identify the products recognized in this report. Either IAPMO UES Mark of Conformity may also be used as shown below:



**IAPMO UES ER-278**

### 6.0 SUBSTANTIATING DATA

**6.1** Test reports are from laboratories in compliance with ISO/IEC 17025.

**6.2** Structural calculations

**6.3** Interior wall finish tests in accordance with ASTM E84.

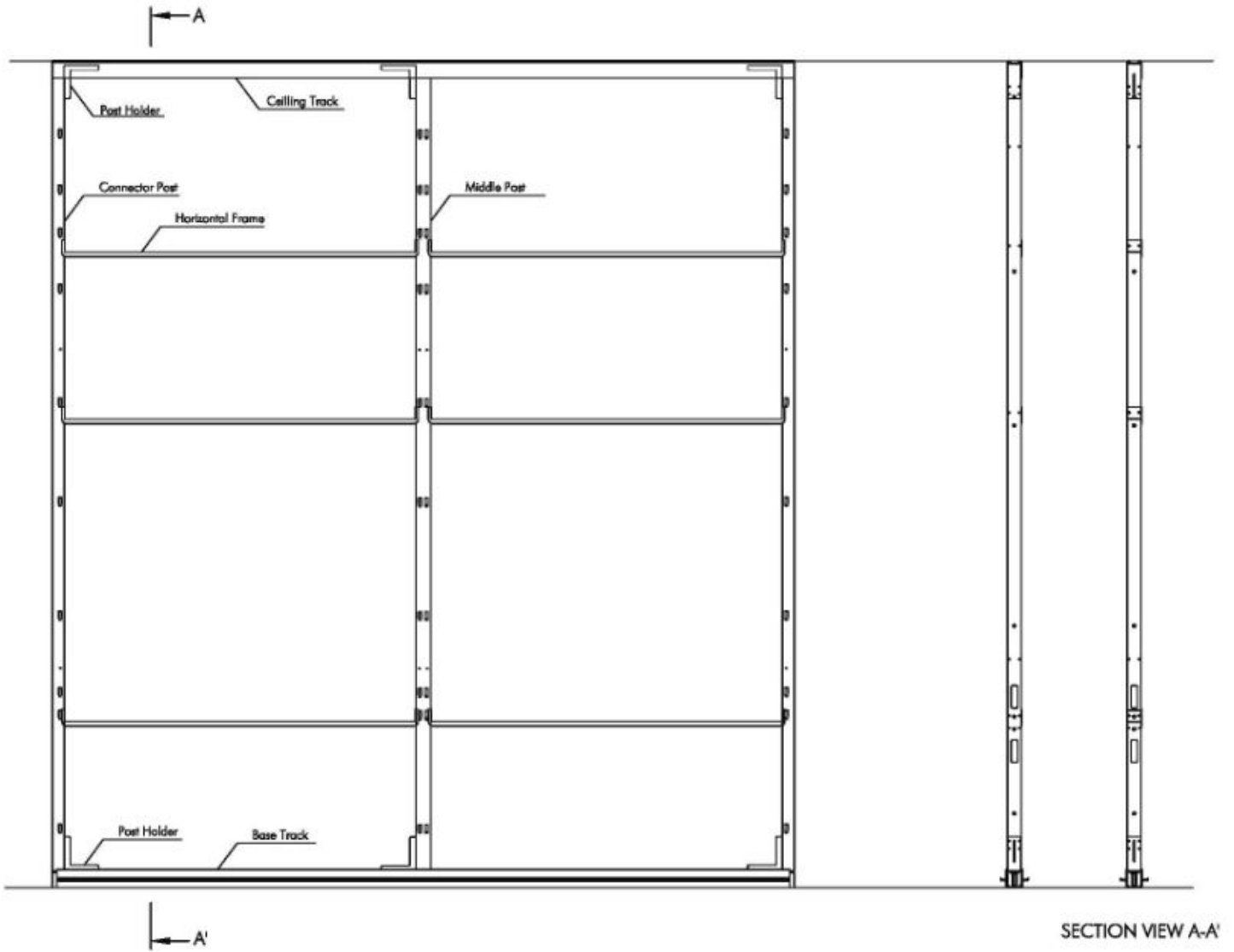
### 7.0 STATEMENT OF RECOGNITION

This evaluation report describes the results of research completed by IAPMO Uniform Evaluation Service on Modular Architectural Interiors (dba ALUR) ALUR Dividing Wall to assess conformance to the codes shown in Section 1.0 of this report and serves as documentation of the product certification. Products are manufactured at locations noted in Section 2.9 of this report under a quality control program with periodic inspection under the supervision of IAPMO UES.

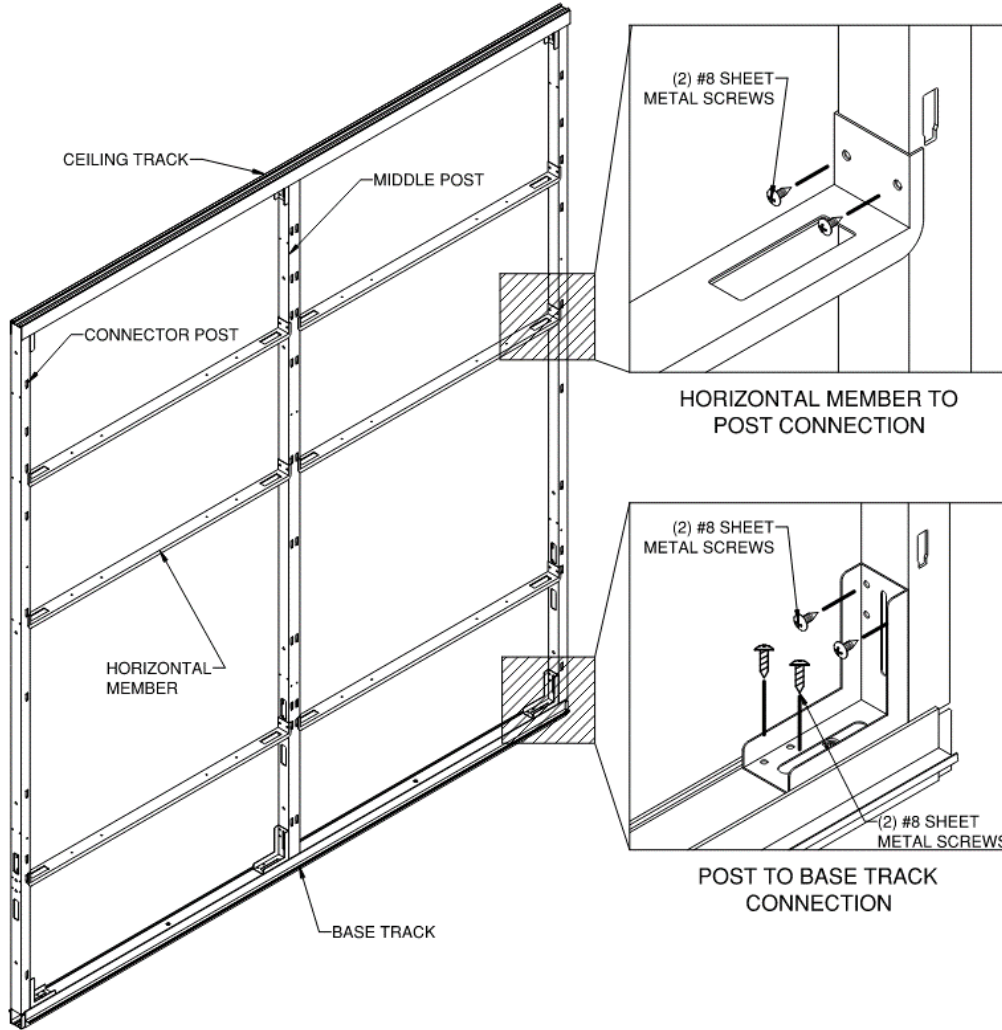
For additional information about this evaluation report please visit [www.uniform-es.org](http://www.uniform-es.org) or email us at [info@uniform-es.org](mailto:info@uniform-es.org)



## Frame Structure



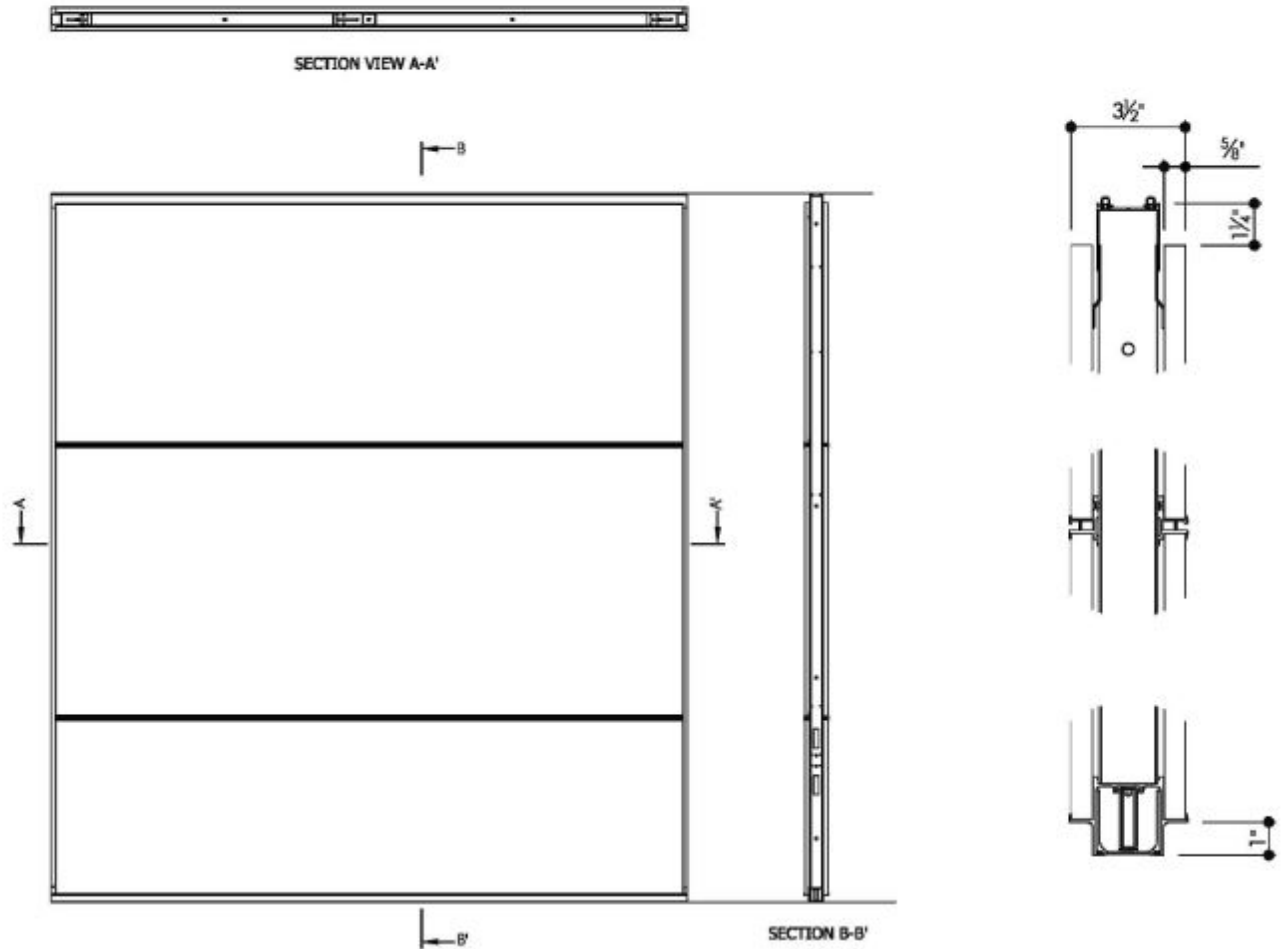
**FIGURE 1 – TYPICAL FRAME STRUCTURE**  
(continued on next page)



**FIGURE 1 (Cont.) – TYPICAL FRAME STRUCTURE**



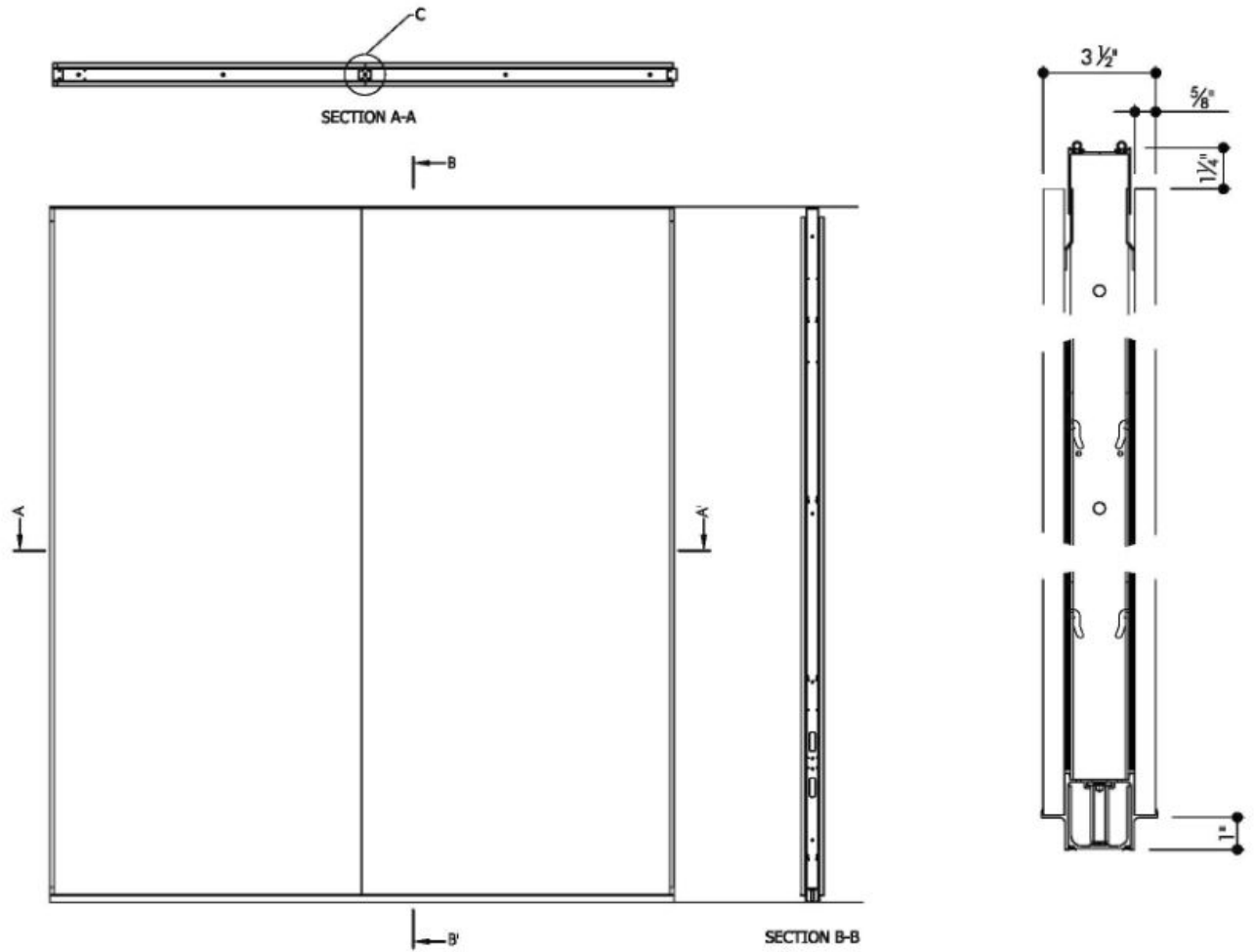
## Panel Option, Horizontal



**FIGURE 2 – TYPICAL HORIZONTAL TILE LAYOUT**

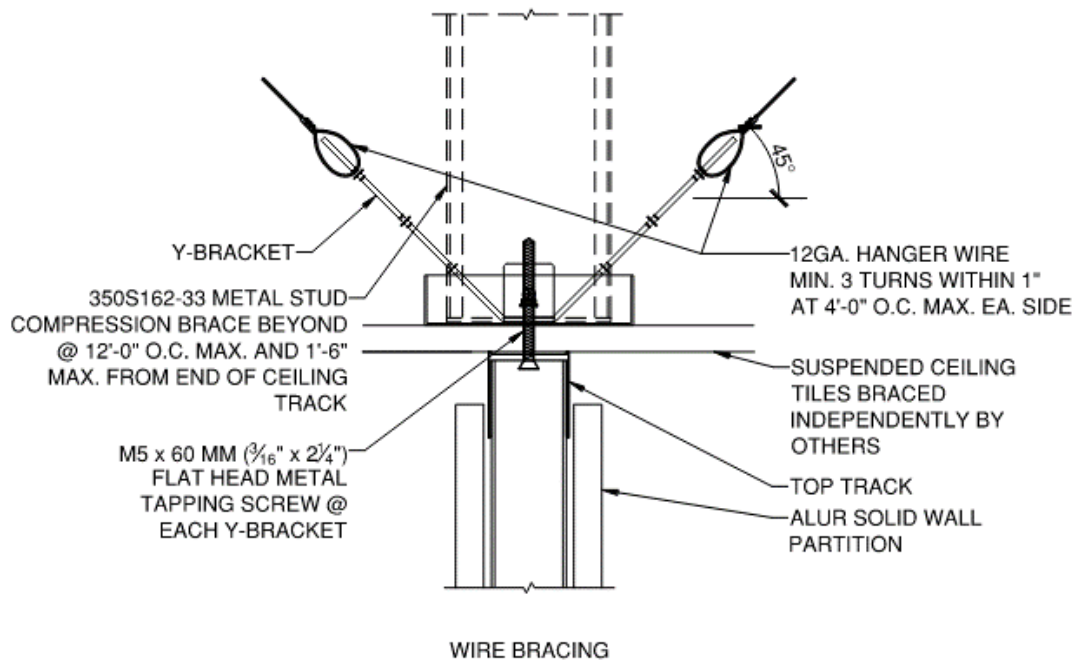
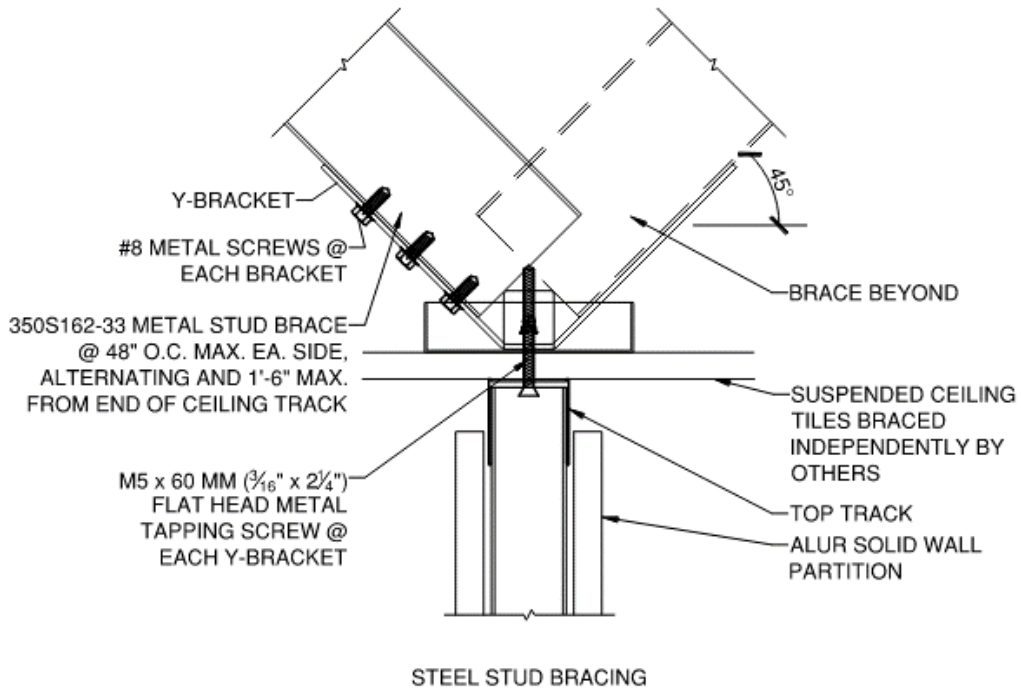


## Panel Option, Vertical



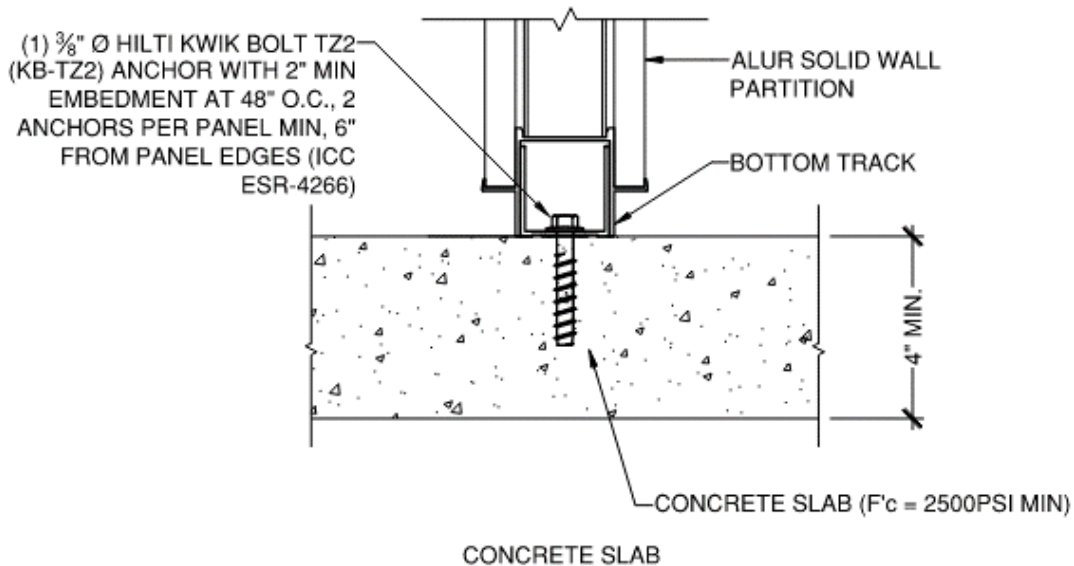
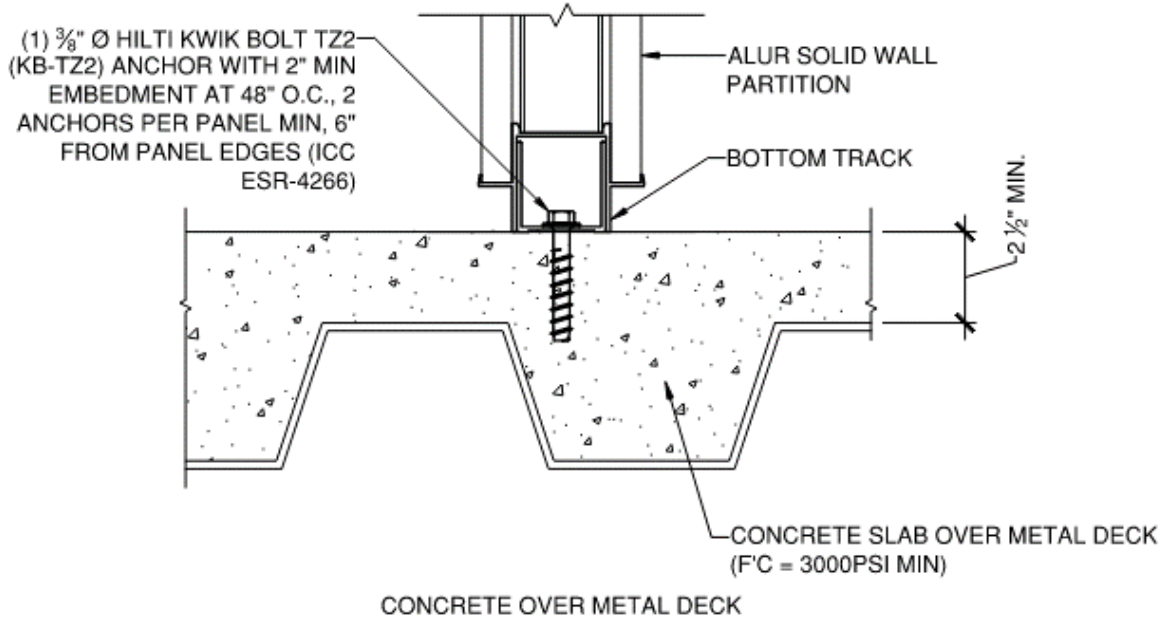
**FIGURE 3 – TYPICAL VERTICAL TILE LAYOUT**



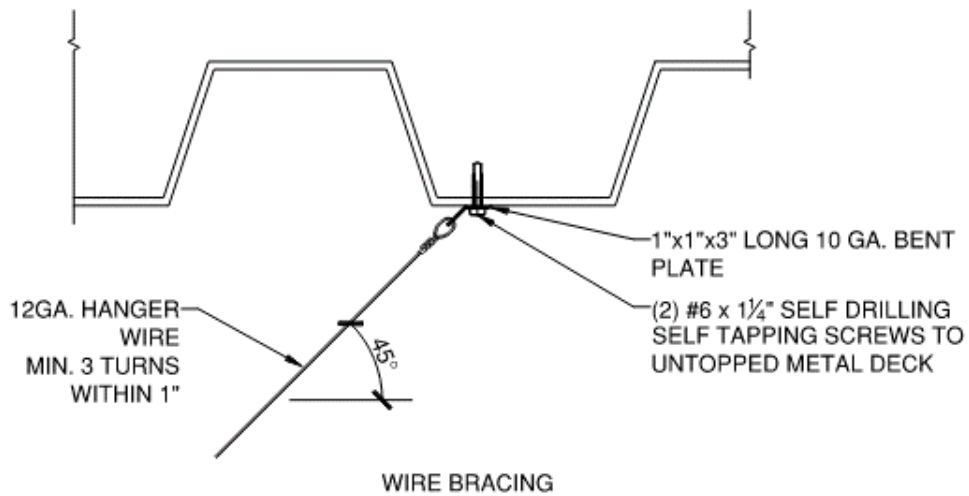
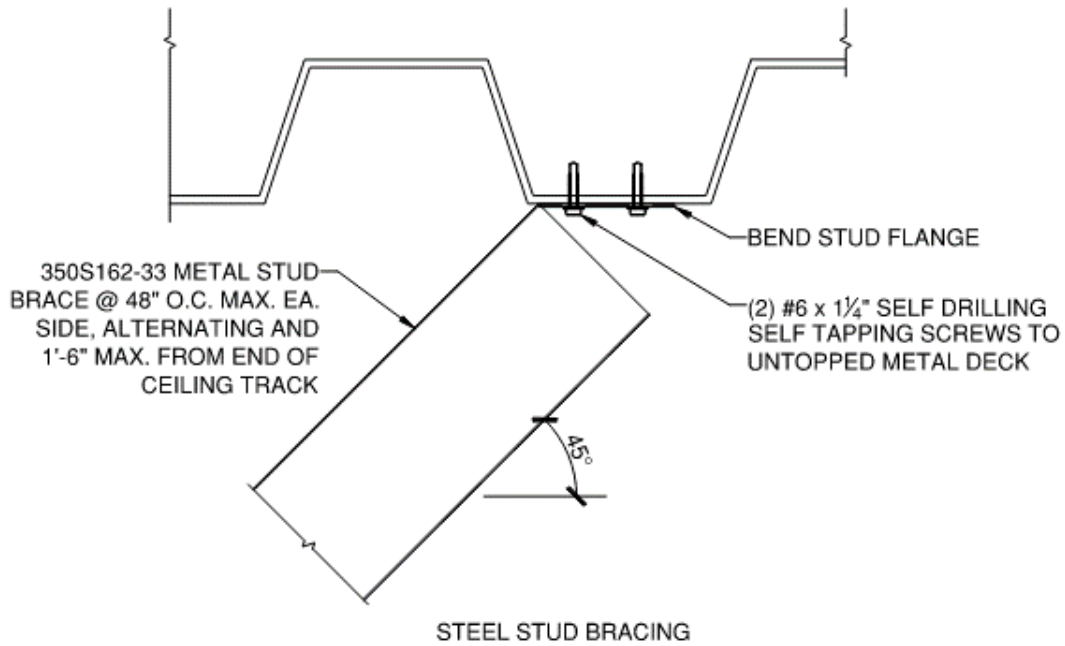


**FIGURE 4 – TOP TRACK BRACING**

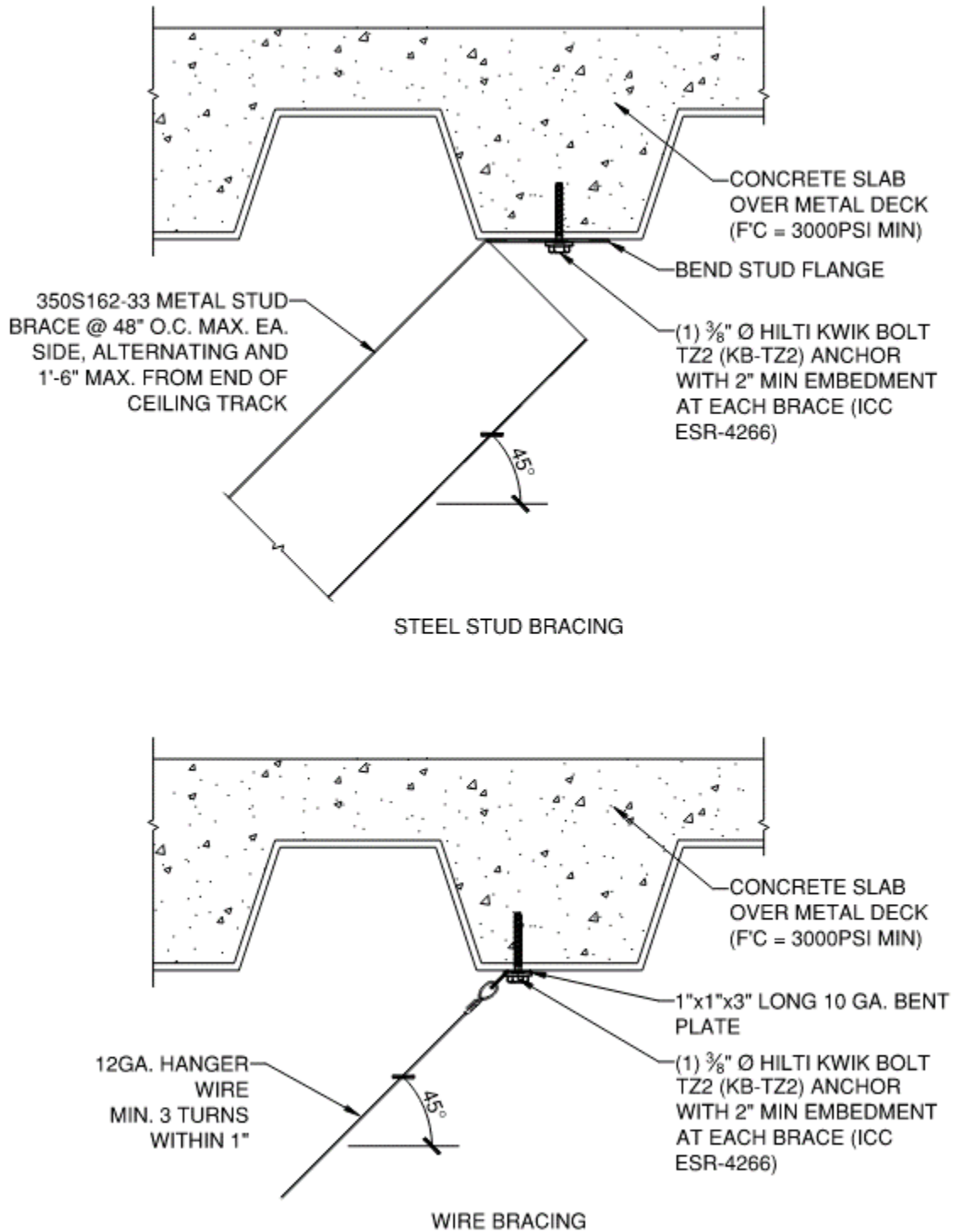




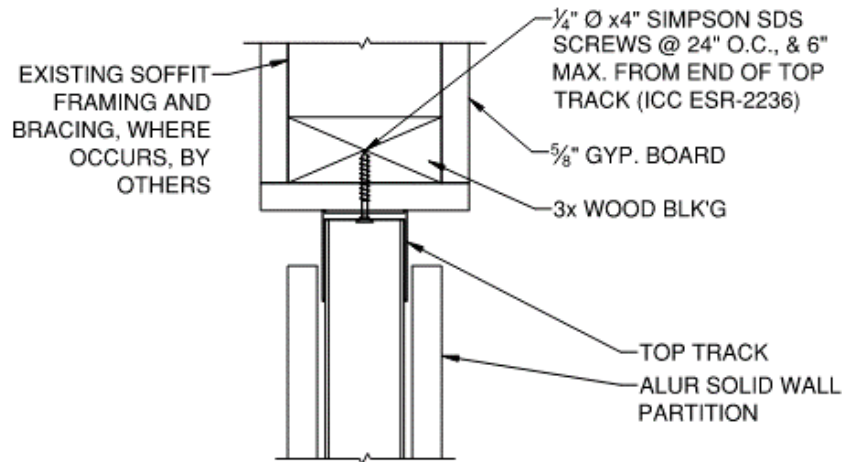
**FIGURE 5 – BOTTOM TRACK ANCHORAGE**



**FIGURE 6 – BRACE TO METAL DECK**



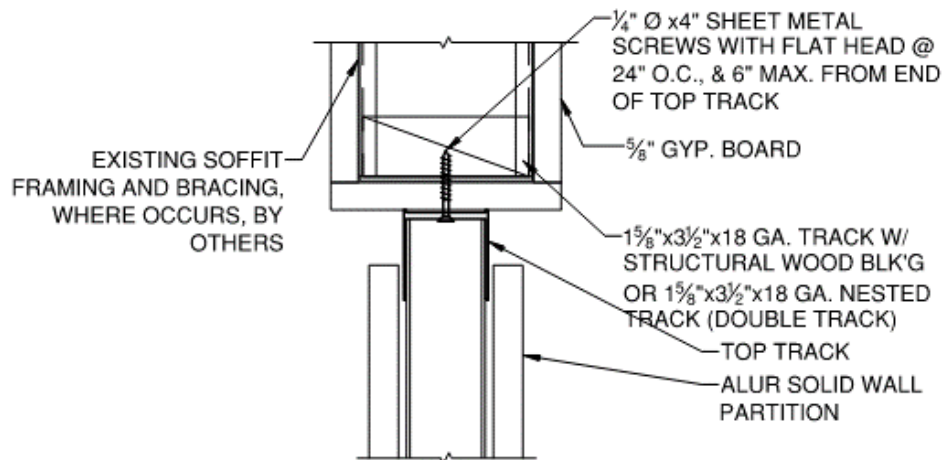
**FIGURE 7 – BRACE TO CONCRETE OVER METAL DECK**



NOTES:

1. MINIMUM EDGE DISTANCE OF SCREWS = 1.5 x ANCHOR DIAMETER
2. MINIMUM (2) ANCHORS AT GIVEN MAX. O.C. SPACING PER TOP TRACK SECTION.

WOOD FRAMED SOFFIT

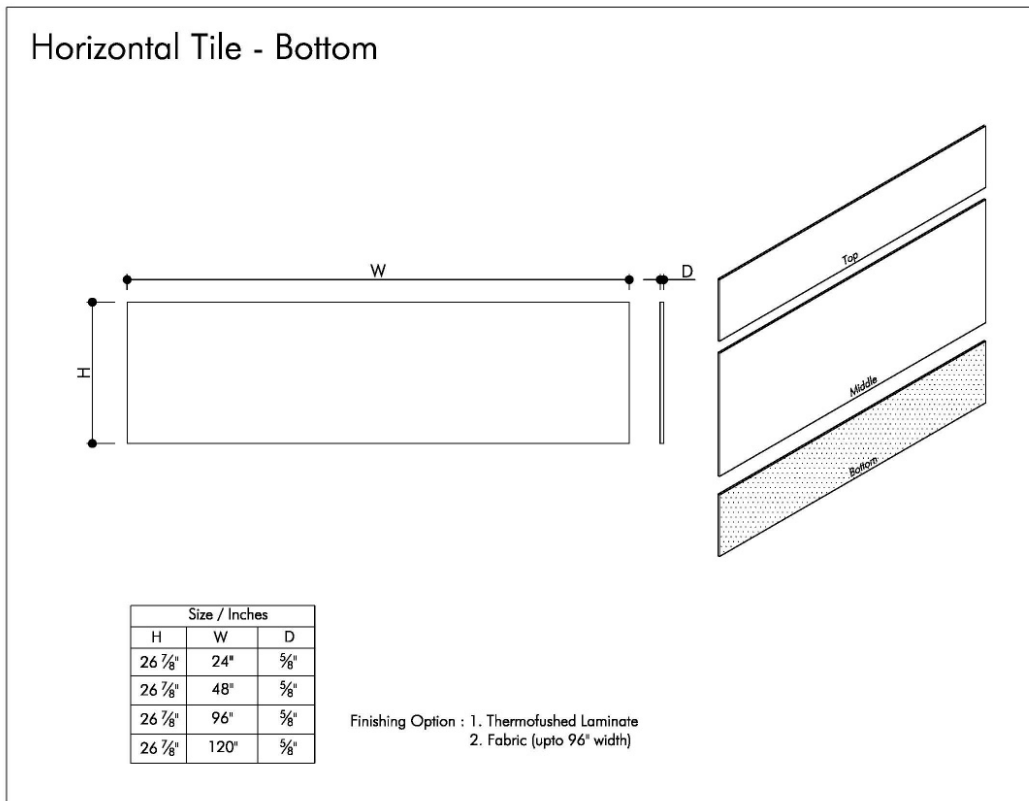
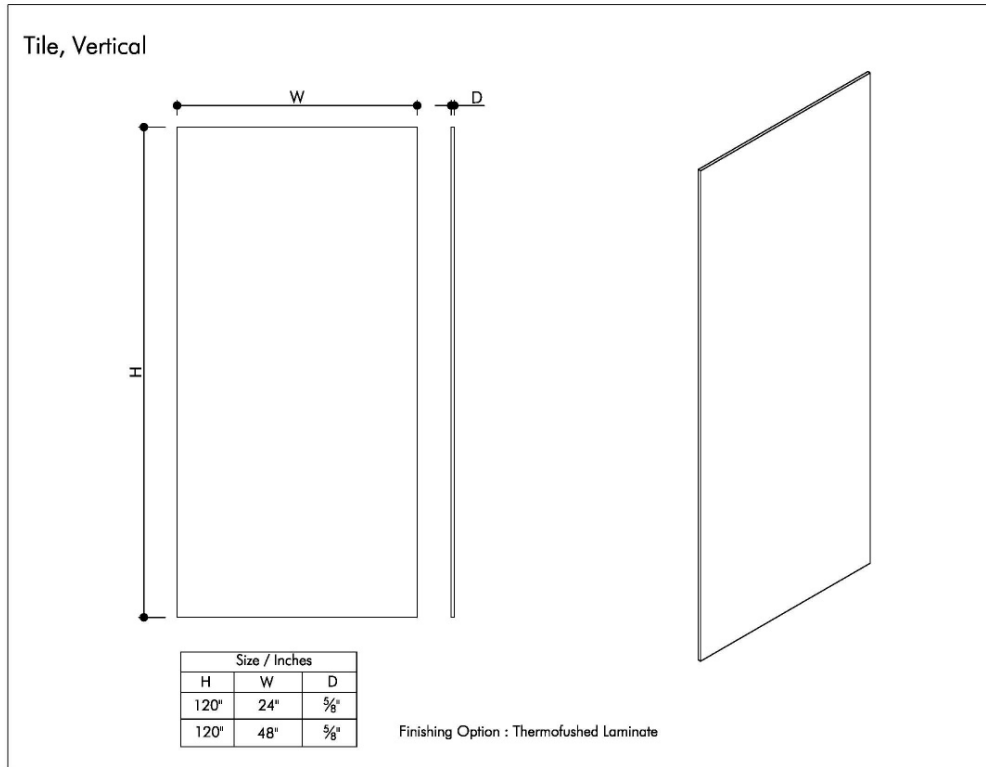


NOTES:

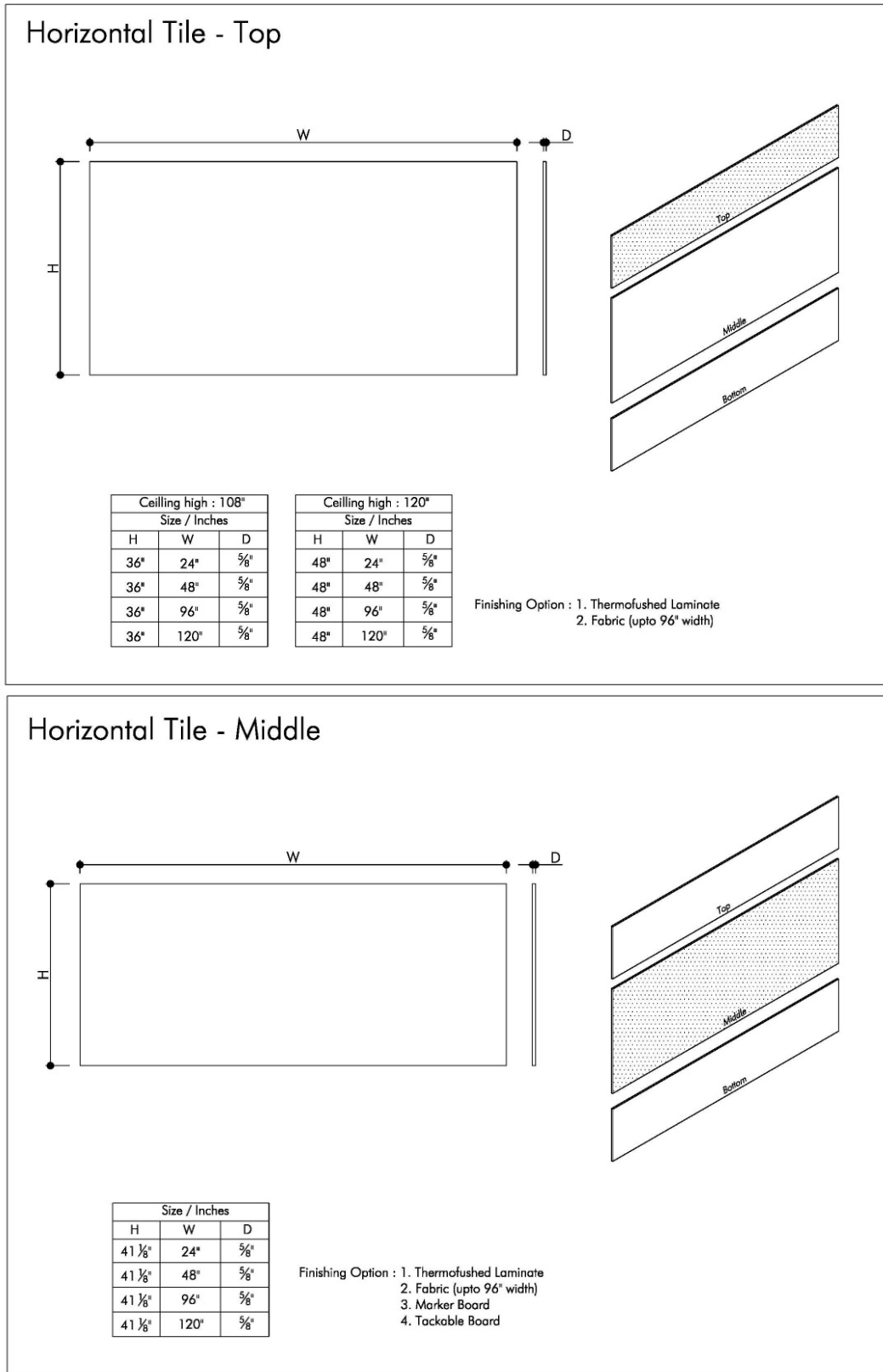
1. MINIMUM EDGE DISTANCE OF SCREWS = 1.5 x ANCHOR DIAMETER
2. PENETRATION OF SCREWS THROUGH JOINED MATERIAL SHOULD NOT BE LESS THAN 3 EXPOSED THREADS.
3. MINIMUM (2) ANCHORS AT GIVEN MAX. O.C. SPACING PER TOP TRACK SECTION.

COLD-FORMED METAL FRAMED SOFFIT

**FIGURE 8 – TOP TRACK ANCHORAGE TO SOFFIT FRAMING**



**FIGURE 9 – WALL TILE OPTIONS**  
(continued on next page)



**FIGURE 9 (cont.) – WALL TILE OPTIONS**



## CALIFORNIA SUPPLEMENT

### MODULAR ARCHITECTURAL INTERIORS

dba ALUR

10A Bloomfield Ave Unit A-2

Pine Brook, NJ 07058

Phone: (973) 446-2300

Fax: (973) 446-2399

<http://alurwalls.com>

### ALUR DIVIDING WALL

**CSI DIVISION: 10 00 00 — SPECIALTIES**

**CSI Section: 10 22 19 — Demountable Partitions**

#### 1.0 RECOGNITION

The ALUR Dividing Wall as evaluated and represented in UES Evaluation Report ER-278 and with changes as noted in this supplement is a satisfactory alternative for use in buildings built under the following code:

- 2022 California Building Code (CBC)

#### 2.0 LIMITATIONS

Use of the ALUR's Dividing Wall recognized in this report is subject to the following limitations:

**2.1** Design and installation shall be in accordance with ER-278 and Chapters 14 and 25 of the California Building Code.

**2.2** For DSA and OSHPD projects, compliance with California Building Code Section 2403.2.1 is required. Detailed construction documents and detailed shop drawings and analysis assuring safe performance for the specific installation shall be prepared by a structural engineer registered in the State of California and submitted to the enforcement agency for approval.

**2.3** This supplement expires concurrently with ER-278.

For additional information about this evaluation report please visit [www.uniform-es.org](http://www.uniform-es.org) or email us at [info@uniform-es.org](mailto:info@uniform-es.org)





## CITY OF LOS ANGELES SUPPLEMENT

### MODULAR ARCHITECTURAL INTERIORS

dba ALUR

10A Bloomfield Ave Unit A-2

Pine Brook, NJ 07058

Phone: (973) 446-2300

Fax: (973) 446-2399

<http://alurwalls.com>

### ALUR DIVIDING WALL

**CSI DIVISION: 10 00 00 — SPECIALTIES**  
**CSI Section: 10 22 19 — Demountable Partitions**

#### 1.0 RECOGNITION

The ALUR Dividing Wall as evaluated and represented in UES Evaluation Report ER-278 and with changes as noted in the California Supplement and this supplement are satisfactory alternatives for use in buildings built under the following code:

- 2023 City of Los Angeles Building Code (LABC)

#### 2.0 LIMITATIONS

Use of the ALUR Dividing Wall recognized in ER-278 and this supplement is subject to the following limitations:

**2.1** The design, installation, conditions of use, and identification of the ALUR Dividing Wall shall be in accordance with the 2021 International Building Code as noted in ER-278, and the California Supplement, as applicable.

**2.2** Prior to installation, calculations, and details demonstrating compliance with this approval report and the 2023 Los Angeles Building Code shall be submitted to the structural plan check section for review and approval.

**2.3** The plans and calculations shall be prepared, stamped, and signed by a California registered design professional. Connections to the supporting structure shall be detailed and reviewed by the Structural Plan Check Section for each project.

**2.4** The design, installation, and inspection of the ALUR Duo Partition Wall System shall be in accordance with LABC Chapters 16 and 17, as applicable, due to local amendments to these chapters.

**2.5** This supplement expires concurrently with ER-278.

For additional information about this evaluation report please visit [www.uniform-es.org](http://www.uniform-es.org) or email us at [info@uniform-es.org](mailto:info@uniform-es.org)



## FLORIDA SUPPLEMENT

### MODULAR ARCHITECTURAL INTERIORS

dba ALUR

10A Bloomfield Ave Unit A-2

Pine Brook, NJ 07058

Phone: (973) 446-2300

Fax: (973) 446-2399

<http://alurwalls.com>

### ALUR DIVIDING WALL

CSI DIVISION: 10 00 00 — SPECIALTIES

CSI Section: 10 22 19 — Demountable Partitions

#### 1.0 RECOGNITION

The ALUR Duo Partition Wall System, as recognized in UES ER-278, has been evaluated for compliance with the following code:

- 2023 Florida Building Code®, Building (FBC, Building)

ALUR Duo Partition Wall System may be used in locations where High-Velocity Hurricane Zone provisions of the Florida Building Code®–Building are applicable.

#### 2.0 LIMITATIONS

ALUR Duo Partition Wall System, as recognized in UES ER-278 and this supplement, is subject to the following limitations:

**2.1** Design requirements shall be determined in accordance with the Florida Building Code®, Building.

**2.2** Use and installation of the Duo Partition Wall System shall be in accordance with the 2021 International Building Code® provisions of UES ER-278, unless otherwise noted in this supplement.

**2.3** Installation shall be in accordance with Section 1403.8 of the Florida Building Code, Building.

**2.4** Verification that the report holder’s quality assurance program is audited by a quality assurance entity approved by the Florida Building Commission (or the building official when the report holder does not possess an approval by the Commission), to provide oversight and determine that the products are being manufactured as described in this evaluation report to establish continual product performance shall be provided for products falling under Section (5)(d) of Florida Rule 61G20-3.008.

**2.5** This supplement expires concurrently with ER-278.

For additional information about this evaluation report please visit [www.uniform-es.org](http://www.uniform-es.org) or email us at [info@uniform-es.org](mailto:info@uniform-es.org)